



**AIR CURTAIN**

**OPTIMAL**

- power and electronic regulation
- exhaust jets for maximal air flow reach
- wire heater with minimum inertia

# OPTIMAL



- ✓ Adjustable outlet with exhaust jets
- ✓ Power and electronic regulation
- ✓ Chaining up to 6 air curtains

## New control panel

- door switch and service-need (clean) state signalization
- individual door switching
- error indication



OPTIMAL air curtain represents cost effective air curtain solutions that can be supplied with or without heater. OPTIMAL air curtain fan power is effective in reducing draughts and cold air from entering a heated room. OPTIMAL is suitable for most applications. The new electronic controller can operate up to six chained air curtains. New feature allows you to use individual operating mode on each chained air curtain. The new type of wire heater can save energy costs up to 20 %.

OPTIMAL air curtain standard colors are silver metallic and white RAL 9010.

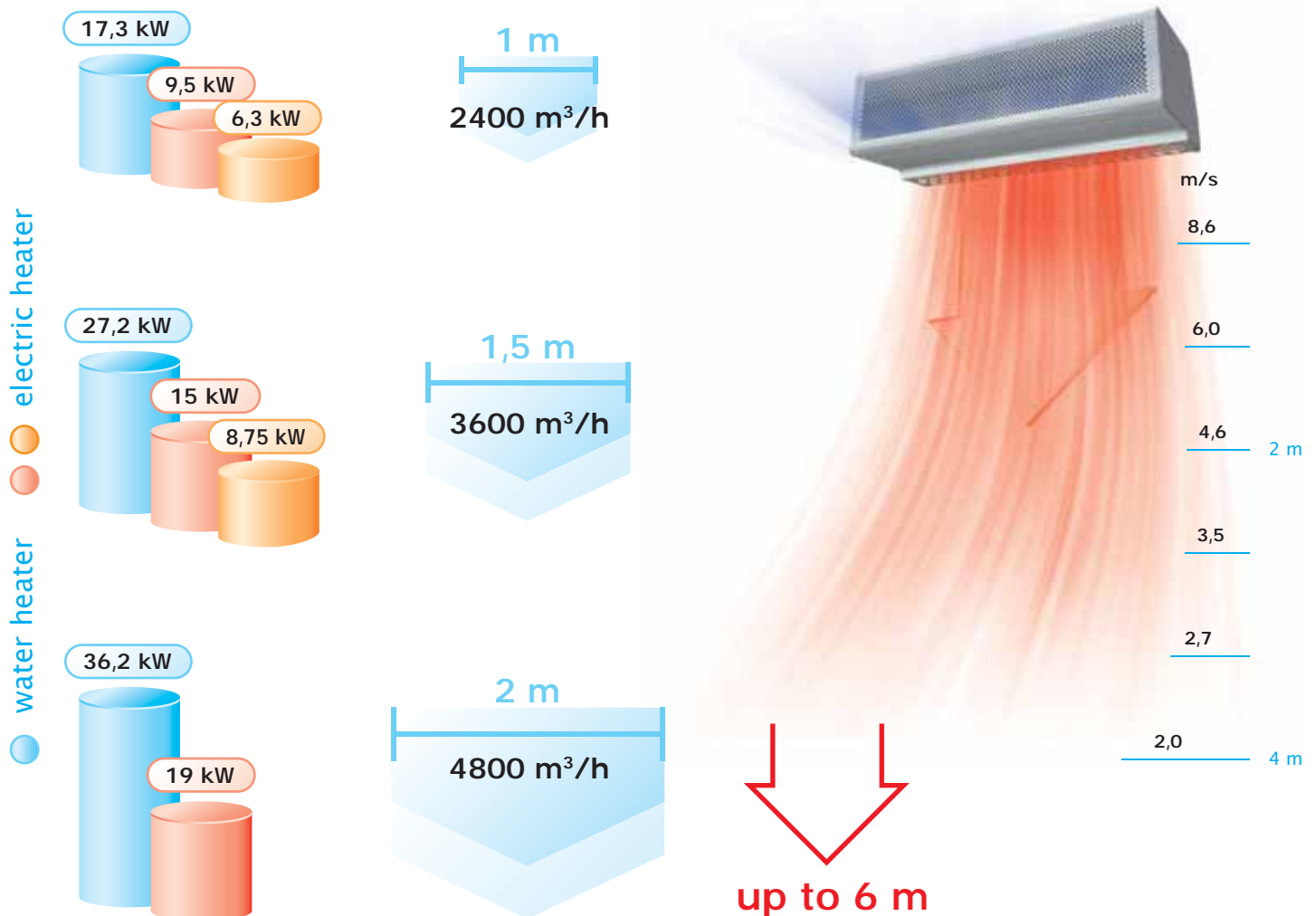
# OPTIMAL

Type	Air flow reach m	Air flow m <sup>3</sup> /h	Heat output kW	Power supply V/Hz	Total current A	Weight kg	Noise level dB (A)**
VCOB-10S-1	4	2400	-	230/50	1,1	29	52,5
VCOB-15S-1		3600	-	230/50	1,7	41	55
VCOB-20S-1		4800	-	230/50	2,2	50	56,5
VCOB-10E-2		2350	9,5	400 + /N50	14,9	32	52,5
VCOB-15E-2		3525	15	400 + /N50	23,4	45	55
VCOB-20E-2		4700	19	400 + /N50	39,7	54	56,5
VCOB-10M-2		2350	6,3	230/50	28,6	32	52,5
VCOB-15M-2		3525	8,75	230/50	39,7	45	55
VCOB-10W-2		2150	17,3*	230/50	1,1	37	52
VCOB-15W-2		3225	27,2*	230/50	1,7	52	54,5
VCOB-20W-2		4300	36,2*	230/50	2,2	62	56

\*Values measured at inlet air temperature +18 °C and temperature drop 90/70 °C.

\*\*Acoustic noise level measured in distance 3m from the inlet side according to the standards EN-ISO 3743-1 and EN-ISO 3744.

Air flow reach figures are based on static air conditions.

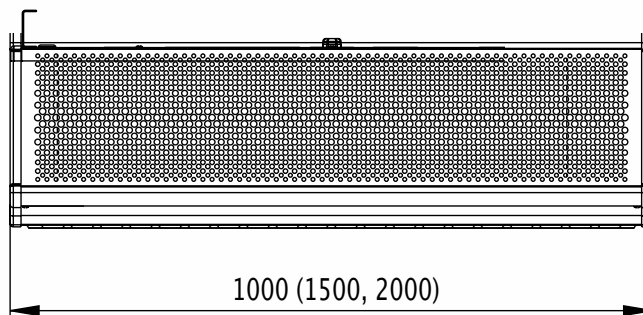
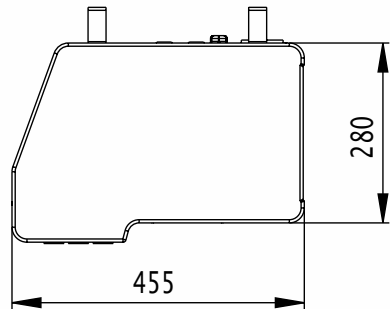


... optimum balanced parameters



This project is cofinanced by European fond of Regional Development and Ministry of Industry and Trade of the Czech Republic.

## Dimensions



## Key to code

### Air curtain

VCO (Optimal)

#### Air output range

B

#### Air curtain width

10 dm (1 m)

15 dm (1,5 m)

20 dm (2 m)

#### Heater

S without heater (only SM control)

E Electrical, 3-phase 400 V (only DM control)

M Electrical, 1-phase 230 V (only DM control and lengths 1 and 1,5 m)

V Water (only DM control)

#### Controller

1 Basic power, manual (air only version - S)

2 Electronic, manual (version with electric and water heater only)

#### Surface color

0 White RAL 9010

1 Silver metallic

VCO B 10 S 1 0

2VV, spol. s r.o.  
Poděbradská 289, 530 09 Pardubice, Czech Republic

Tel.: +420 466 741 891

Fax: +420 466 741 899

E-mail: [2vv@2vv.cz](mailto:2vv@2vv.cz)

Web: [www.2vv.cz](http://www.2vv.cz)